

WEICHAI | **LOVOL**



Engine

WEICHAI LOVOL

Engine Mark

WEICHAI

Rated Power

74kW / 82kW

Operation Weight (Standard Arm)

7900kg / 8020kg

Operation Weight (Telescopic Arm)

8500kg / 8600kg

Model

FLB468-II

SIDE-SHIFT BACKHOE LOADER

Emission III standard engine

FLB468-II Backhoe Loader Specifications

Specification	Standard	Optional
Engine		
Engine	WEICHAH LOVOL	
Engine Mark	WEICHAH	
Model	WP4.1G100E311	WP4.1G110E311
Engine Type	Diesel Engine, 4 Stroke, Inline, Direct Injection, Water Cooled, Turbocharger	
Number of Cylinder-Bore×Stroke	4-105×118mm	
Rated Engine Power / Speed (ISO)	74kW / 2200rpm	82kW / 2200rpm
Engine Torque / Speed	395N·m / 1400-1600rpm	457N·m / 1500rpm
Displacement	4.088L	
Air Filter	Dry Air Filter	
Fuel Tank Capacity	130L	142L 152L

- The engine meets Stage III emission standard, EU Stage IIIA
- Intercooler (optional configuration)
- Engine oil cooler (optional configuration)
- Electrical fuel supply (optional configuration)

Transmission System

Type	Four Wheel Drive			
Front Axle Oscillation Angle	22°			
Transmission	Torque Converter			
Gear Shift	Power shift, synchro shuttle, 4 forward, 4 reverse		Power shuttle transmission, 4 forward, 4 reverse	
Max. Travel Speed	37km/h	40km/h	37km/h	40km/h
Front Tyre Size	14-17.5	12.5×18	14-17.5	12.5×18
Rear Tyre Size	19.5L-24	16.9×28	19.5L-24	16.9×28
Traction Force	70kN			

- The transmission adopts WEICHAH LOVOL, it is durable and reliable.
- Four wheel drive system, available with either four wheel drive (4WD) or two wheel drive (2WD).
- The differential lock operated on rear axle

Steering System

Type	Hydrostatic Power Steering			
Outside Front Wheels Turning Circle (A)	7.98m (with braked) / 8.86m (without braked)			
Outside Loader Bucket Turning Circle (B)	10.98m (with braked) / 11.73m (without braked)			

Brake System

Service Brake	Wet Type-Power Braking			
Parking Brake	Hand Brake			

Hydraulic System

Hydraulic System	Open Center			Closed Center	
	Gear Pump			Variable Flow Axial Piston Pump	
Hydraulic Pump					
Hydraulic Flow	145L/min	150L/min	154L/min	135L/min	150L/min
Hydraulic Pressure	225Bar	245Bar	250Bar	250Bar	250Bar
Hydraulic Oil Capacity	130L		138L		152L

Standard Equipment

- Rops canopy steel cab - compliant ROPS/FOPS, safe work, air condition
- Adjustable seat with safety belt suitable for various position working conditions
- Front & side instrument panel, front & rear wipers, horn, backup alarm

Optional Equipment

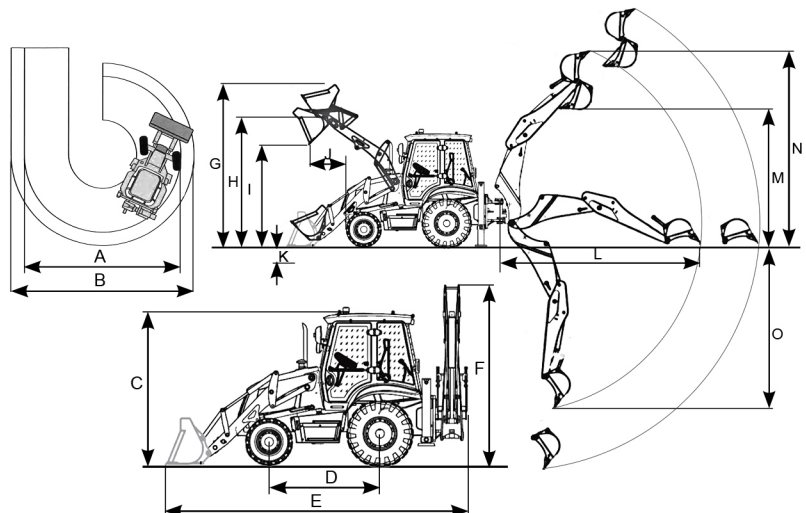
- Intercooler
- Automatic belt tensioner
- Hydraulic auger
- Flail head
- Hydraulic breaker
- GPS system

Specification	Standard	Optional
Working Device		
Height to Top of Cab (C)	2700mm	2850mm 2890mm
Wheelbase (D)	2170mm	2200mm 2250mm
Overall Length (E)	5900mm	5900mm 5950mm
Overall Height (F)	3500mm	3600mm 3820mm
Loading Bucket Type	General Purpose Bucket	Multi Purpose Bucket (4 in 1)
Loading Bucket Capacity	1.0m ³ (SAE Heaped)	1.15m ³ (SAE Heaped)
Loading Bucket Width	2200 mm	2300 mm
Rated Load	1700kg	3050kg 3480kg
Bucket Breakout Force	28kN	58kN 61kN
Arm Breakout Force	37kN	58kN
Dump Angle	43°	45° 47°
Loader Lifting Height (G)	4100mm	4300mm
Hinge Pin Height (H)	3400mm	3500mm 3600mm
Dumping Height (I)	2600mm	2800mm 2900mm
Fully Dump Reach at Full Height (J)	780mm	800mm
Loader Digging Depth (K)	70mm	95mm 110mm
Rollback Angle at Ground Level	45°	47°
Digging Bucket Type	Standard Profile Bucket	
Digging Bucket Capacity	0.18m ³ SAE Heaped	0.20m ³ SAE Heaped
Digging Bucket Width	610mm	650mm 700mm
Bucket Digging Force	45kN	58kN 63.5kN
Arm Digging Force	44kN	55kN 63kN
Swing Arc	180°	
Bucket Rotation Angle	180°	204°
Side Shift	1010mm	
Digging Arm Type	Standard Arm	Telescopic Arm
		Ret Ext
Max. Digging Radius (L)	5300mm 5450mm 5700mm	5350mm 6400mm 6700mm
Max. Loading Height (M)	3500mm 3600mm 3900mm	3350mm 4250mm 4400mm
Max. Digging Height (N)	5100mm 5200mm 5500mm	5000mm 5740mm 6200mm
Max. Digging Depth (O)	4000mm 4100mm 4300mm	4020mm 4600mm 5200mm

- Loader, excavator and branch leg (H-type) controlled by hydraulic system

Electrical System

Electric system	12V	
Battery	12V 100Ah	
Alternator	65A	150A



LOVOL HEAVY INDUSTRY GROUP CO.,LTD.

Address: No.75, Huanghe East Road, Huangdao District, Qingdao City, Shandong Province, China.

As manufacturer, LOVOL has right to constantly upgrade and improve our products without informing to customers. The pictures in illustrators are for reference only, the detailed specifications are subject to real products.